



Tonmerit International Limited

ULTRASONIC TESTING (UT) 3.1, 3.2 (Plates & Pipes)

COURSE CONTENT

Basic principles of sound; generation and detection of sound; behaviour of sound in a material, factors affecting propagation of sound; the flaw detector, calibration blocks/DAC Blocks, use of angled beam probes for weld scanning, calibration of equipments; welding processes and weld defects; practical exercises on test specimens containing simulated flaws; examination of parent plates, butt welds, interpretation and evaluation; instruction writing.

CERTIFICATION / AWARD BODY

EN ISO 9712-2012: Qualification and Certification of NDT Personnel



ENTRY REQUIREMENTS

The minimum required duration of training, which includes both Theoretical and practical elements is:

Level 2 - 120 hours

The minimum duration for experience prior to or following success in the qualification examination is

Level 2 - 12 months

COURSE OBJECTIVES

1. To explain the theoretical background of the techniques.
2. To calibrate ultrasonic equipment.
3. To measure the thickness of steel plates and determine levels of attenuation.
4. To locate and evaluate laminations.
5. To select the correct type of probe to examine welded butt joints in steel plate/pipes.
6. To report on the location and size of defects in typical welded butt joints.
7. To interpret code requirements.
8. To meet the syllabus and exceed requirements for ISO 9712 Level 2.

COURSE DURATION

EN ISO 9712 Level II 12 Days

COURSE FEE

\$1,720.38

EN ISO 9712-2012 PROGRAM

Venue:

Warri, Nigeria



Contact us @

*25, Okuokoko Agbarho Express Road,
Okuokoko, Warri, Delta State.*

*Phone No:08123002209, 08030823051,
08057758775,08065074515*

email: tonmeritsintl@gmail.com

Website: www.tonmerit.com

**ACCOMMODATION IS NOW AVAILABLE
TERMS & CONDITIONS APPLY**



Tonmerit International Limited

ULTRASONIC

TESTING (UT) 3.8, 3.9 (Nodes & Nizzles)

COURSE CONTENT

Basic principles of sound; generation and detection of sound; behaviour of sound in a material, factors affecting propagation of sound; the flaw detector, calibration blocks/DAC Blocks, use of angled beam probes for weld scanning, calibration of equipments; welding processes and weld defects; practical exercises on test specimens containing simulated flaws; examination of parent plates, butt welds, interpretation and evaluation; instruction writing.

CERTIFICATION / AWARD BODY

EN ISO 9712-2012: Qualification and Certification of NDT Personnel



ENTRY REQUIREMENTS

The minimum required duration of training, which includes both Theoretical and practical elements is:

Level 2 - 24 hours

The minimum duration for experience prior to or following success in the qualification examination is

Level 2 - 12 months

COURSE OBJECTIVES

1. To explain the theoretical background of the techniques.
2. To calibrate ultrasonic equipment.
3. To measure the thickness of steel plates and determine levels of attenuation.
4. To locate and evaluate laminations.
5. To select the correct type of probe to examine welded butt joints in steel plate/pipes.
6. To report on the location and size of defects in typical welded butt joints.
7. To interpret code requirements.
8. To meet the syllabus and exceed requirements for ISO 9712 Level 2.

COURSE DURATION

EN ISO 9712 Level II 4 Days

COURSE FEE

\$1,720.38

EN ISO 9712-2012 PROGRAM

Venue:

Warri, Nigeria



Contact us @

25, Okuokoko Agbarho Express Road,
Okuokoko, Warri, Delta State.

Phone No: 08123002209, 08030823051,
08057758775, 08065074515

email: tonmeritsintl@gmail.com

Website: www.tonmerit.com

**ACCOMMODATION IS NOW AVAILABLE
TERMS & CONDITIONS APPLY**



Tonmerit International Limited

MAGNETIC PARTICLE TESTING (MPT)

COURSE CONTENT

Principles of Magnetic fields; induction; permeability and reluctance; magnetization; lines of force, methods of testing, viewing conditions, detecting media; interpretation and evaluation, acceptance levels; demagnetization; practical exercises; methods of assessing sensitivity, reporting; instruction writing.

CERTIFICATION / AWARD BODY

EN ISO 9712-2012: Qualification and Certification of NDT Personnel



ENTRY REQUIREMENTS

The minimum required duration of training, which includes both Theoretical and practical elements is:

Level 2 - 40 hours

The minimum duration for experience prior to or following success in the qualification examination is

Level 2 - 3 months

COURSE OBJECTIVES

1. To explain the basic principles of magnetic particle inspection methods.
2. To carry out magnetic particle inspection.
3. To write clear and concise inspection instructions and test reports.
4. To meet syllabus and exceed requirements for ISO 9712 Level 2

COURSE DURATION

EN ISO 9712 Level II 5 Days

COURSE FEE

\$931.75

EN ISO 9712-2012 PROGRAM
Venue:
Warri, Nigeria



Contact us @

*25, Okuokoko Agbarho Express Road,
Okuokoko, Warri, Delta State.*

*Phone No:08123002209, 08030823051,
08057758775,08065074515*

email: tonmeritsintl@gmail.com

Website: www.tonmerit.com

ACCOMMODATION IS NOW AVAILABLE
TERMS & CONDITIONS APPLY



Tonmerit International Limited

PENETRANT TESTING (PT)

COURSE CONTENT

Materials, methods, compatibility of materials, application of materials, process of carrying out penetrant testing, viewing conditions, equipment requirement, equipment and safety aspects; practical exercises; methods of accessing sensitivity, interpretation and evaluation, reporting, instruction writing.

CERTIFICATION / AWARD BODY

EN ISO 9712-2012: Qualification and Certification of NDT Personnel



ENTRY REQUIREMENTS

The minimum required duration of training, which includes both Theoretical and practical elements is:

Level 2 - 40 hours

The minimum duration for experience prior to or following success in the qualification examination is

Level 2 - 3 months

COURSE OBJECTIVES

1. To explain the basic principles of Penetrant particle inspection methods.
2. To carry out penetrant inspection using solvent-removable, water-washable and post-emulsifiable/removable processes.
3. To write clear and concise inspection instructions and test reports.
4. To meet syllabus and exceed requirements for ISO 9712 Level 2

COURSE DURATION

EN ISO 9712 Level II 5 Days

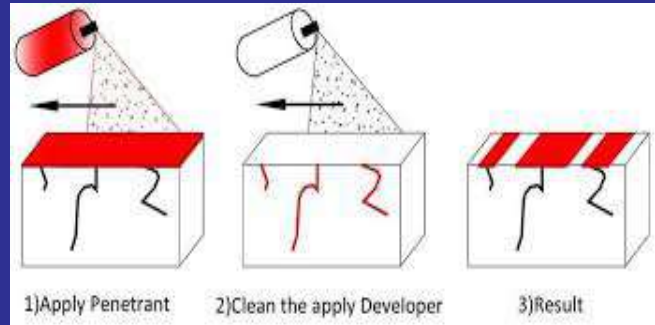
COURSE FEE

\$931.75

EN ISO 9712-2012 PROGRAM

Venue:

Warri, Nigeria



Contact us @

25, Okuokoko Agbarho Express Road,
Okuokoko, Warri, Delta State.

Phone No: 08123002209, 08030823051,
08057758775, 08065074515

email: tonmeritsintl@gmail.com

Website: www.tonmerit.com

**ACCOMMODATION IS NOW AVAILABLE
TERMS & CONDITIONS APPLY**



Tonmerit International Limited

EDDY CURRENT TESTING (ET) WELDS

COURSE CONTENT

Introduction to Eddy current testing, Eddy current principles, Factors affecting Eddy current testing, Direction and Distribution of Eddy current in article, Eddy current equipment and requirements Eddy current method, Discontinuity testing, Eddy current method control and Test system development, interpretation of the signal, defect sizing.

CERTIFICATION / AWARD BODY

EN ISO 9712-2012: Qualification and Certification of NDT Personnel



ENTRY REQUIREMENTS

No Mandatory Course Entry Requirements.

Training Requirements:

The minimum duration of training, which includes both theoretical and practical element is

Level 2 - 80 hours

The training hours requirement is fulfilled when candidates attend one of recognized training courses is:

Level 2 - 12 months

Certification will not be issued until successful completion of the examination and the required experienced is achieved.

COURSE OBJECTIVES

1. To detect cracks, surface and near-surface, in aircraft components, structures, tubes and welds.
2. To detect corrosion and thinning in non-magnetic materials.
3. To grade and sort materials on the basis of conductivity and permeability.
4. To write clear and concise inspection instructions and test reports
5. To meet syllabus and exceed requirements for ISO 9712 Level 2

COURSE DURATION

EN ISO 9712 Level II 10 Days

COURSE FEE

\$1,550.37

EN ISO 9712-2012 PROGRAM

Venue:

Warri, Nigeria



Contact us @

*25, Okuokoko Agbarho Express Road,
Okuokoko, Warri, Delta State.*

*Phone No:08123002209, 08030823051,
08057758775,08065074515*

email: tonmeritsintl@gmail.com

Website: www.tonmerit.com

**ACCOMMODATION IS NOW AVAILABLE
TERMS & CONDITIONS APPLY**



Tonmerit International Limited

EDDY CURRENT TESTING (ET) TUBE

COURSE CONTENT

Introduction to Eddy current testing, Eddy current principles, Factors affecting Eddy current testing, Direction and Distribution of Eddy current in article, Eddy current equipment and requirements Eddy current method, Discontinuity testing, Eddy current method control and Test system development, interpretation of the signal, defect sizing.

CERTIFICATION / AWARD BODY

EN ISO 9712-2012: Qualification and Certification of NDT Personnel



ENTRY REQUIREMENTS

No Mandatory Course Entry Requirements.

Training Requirements:

The minimum duration of training, which includes both theoretical and practical element is

Level 2 - 80 hours

The training hours requirement is fulfilled when candidates attend one of recognized training courses is:

Level 2 - 12 months

Certification will not be issued until successful completion of the examination and the required experienced is achieved.

COURSE OBJECTIVES

1. To detect cracks, surface and near-surface, in aircraft components, structures, tubes and welds.
2. To detect corrosion and thinning in non-magnetic materials.
3. To grade and sort materials on the basis of conductivity and permeability.
4. To write clear and concise inspection instructions and test reports
5. To meet syllabus and exceed requirements for ISO 9712 Level 2

COURSE DURATION

EN ISO 9712 Level II 10 Days

COURSE FEE

\$2,300.51

EN ISO 9712-2012 PROGRAM

Venue:

Warri, Nigeria



Contact us @

*25, Okuokoko Agbarho Express Road,
Okuokoko, Warri, Delta State.*

*Phone No:08123002209, 08030823051,
08057758775,08065074515*

email: tonmeritsintl@gmail.com

Website: www.tonmerit.com

**ACCOMMODATION IS NOW AVAILABLE
TERMS & CONDITIONS APPLY**



Tonmerit International Limited

EDDY CURRENT TESTING (ET) WELD & TUBE

COURSE CONTENT

Introduction to Eddy current testing, Eddy current principles, Factors affecting Eddy current testing, Direction and Distribution of Eddy current in article, Eddy current equipment and requirements Eddy current method, Discontinuity testing, Eddy current method control and Test system development, interpretation of the signal, defect sizing.

CERTIFICATION / AWARD BODY

EN ISO 9712-2012: Qualification and Certification of NDT Personnel



ENTRY REQUIREMENTS

No Mandatory Course Entry Requirements.

Training Requirements:

The minimum duration of training, which includes both theoretical and practical element is

Level 2 - 80 hours

The training hours requirement is fulfilled when candidates attend one of recognized training courses is:

Level 2 - 12 months

Certification will not be issued until successful completion of the examination and the required experienced is achieved.

COURSE OBJECTIVES

1. To detect cracks, surface and near-surface, in aircraft components, structures, tubes and welds.
2. To detect corrosion and thinning in non-magnetic materials.
3. To grade and sort materials on the basis of conductivity and permeability.
4. To write clear and concise inspection instructions and test reports
5. To meet syllabus and exceed requirements for ISO 9712 Level 2

COURSE DURATION

EN ISO 9712 Level II 10 Days

COURSE FEE

\$3,850.88

EN ISO 9712-2012 PROGRAM

Venue:

Warri, Nigeria



Contact us @

*25, Okuokoko Agbarho Express Road,
Okuokoko, Warri, Delta State.*

*Phone No:08123002209, 08030823051,
08057758775,08065074515*

email: tonmeritsintl@gmail.com

Website: www.tonmerit.com

**ACCOMMODATION IS NOW AVAILABLE
TERMS & CONDITIONS APPLY**



Tonmerit International Limited

VISUAL TESTING (VT)

COURSE CONTENT

EN ISO 19712 Certification Programs - Introduction to Visual Testing- Physic of light - The Eye and Vision - Environment Conditions -Light Sources - Measuring Equipment - Surface Conditions - Materials and Process - Temperature Measurement - optical Aids - Inspection Procedure - Technique and sequence of performing test - Capability and limitations of VT Defect ability - Typical defects according to the manufacturing process (forgings, castings, rolling welding, cold working processes; heat treatment processes, surface finishing, material composition, In-service aspects etc.) - instruction writing - product technology- interpretation and evaluation; acceptance criteria - codes and standards, procedures, and written practices-reporting and preparation procedure for various application.

CERTIFICATION / AWARD BODY

EN ISO 9712-2012: Qualification and Certification of NDT Personnel



ENTRY REQUIREMENTS

The minimum required duration of training, which includes both Theoretical and practical elements is:

Level 2 - 40 hours

The minimum duration for experience prior to or following success in the qualification examination is 3 months for level 2. it is strongly recommended that ISO 9712 Level 2 certification in the method sought is achieved prior to undertaking Level 3 exams.

COURSE OBJECTIVES

1. To explain the basic principles of Visual inspection methods and to carry out Visual inspection.
2. To write clear and concise inspection instructions and test reports.
3. To state the parameters relating to inspection of welds, forgings and casting.
4. To advise and write NDT procedures and instructions for the inspection of component in the chosen method.
5. To meet syllabus and exceed requirements for ISO 9712 Level 2

COURSE DURATION

EN ISO 9712 Level II 5 Days

COURSE FEE

\$1,600.38

EN ISO 9712-2012 PROGRAM

Venue:

Warri, Nigeria



Contact us @

25, Okuokoko Agbarho Express Road,
Okuokoko, Warri, Delta State.

Phone No:08123002209, 08030823051,
08057758775,08065074515

email: tonmeritsintl@gmail.com

Website: www.tonmerit.com

**ACCOMMODATION IS NOW AVAILABLE
TERMS & CONDITIONS APPLY**



Tonmerit International Limited

RADIOGRAPHIC FILM INTERPRETATION (RFI) WELDS

COURSE CONTENT

Weld defects and their components; viewing conditions; identification of radiographs, spurious indications and film artefacts; appreciation of radiographic principles and parameters of interpretation; standards for radiographic practice, interpretation tutorial, acceptance criteria.

CERTIFICATION / AWARD BODY

EN ISO 9712-2012: Qualification and Certification of NDT Personnel



ENTRY REQUIREMENTS

The minimum required duration of training, which includes both Theoretical and practical elements is:

Level 2 - 56 hours

The minimum duration for experience prior to or following success in the qualification examination is

Level 2 - 6 months

COURSE OBJECTIVES

1. To list radiographic techniques.
2. To state origin of defects.
3. To recognize and differentiate between film artefacts and defect indications.
4. To interpret radiographs and to categories and size the defects.
5. To meet the syllabus and exceed requirements for ISO 9712 Level 2.

COURSE DURATION

EN ISO 9712 Level II 6 Days

COURSE FEE

\$1,570.75

EN ISO 9712-2012 PROGRAM

Venue:

Warri, Nigeria



Contact us @

*25, Okuokoko Agbarho Express Road,
Okuokoko, Warri, Delta State.*

*Phone No:08123002209, 08030823051,
08057758775,08065074515*

email: tonmeritsintl@gmail.com

Website: www.tonmerit.com

**ACCOMMODATION IS NOW AVAILABLE
TERMS & CONDITIONS APPLY**



Tonmerit International Limited

PHASED ARRAY ULTRASONIC TESTING (PAUT)

COURSE CONTENT

Introduction in PAUT, Basic Principals of PAUT, Basic components of PAUT, PAUT Probe characteristics, Types of PAUT Probes, Beam Shaping & Steering Dynamic Depth Forms, Digitization Principles, Types of Scan, PAUT machine familiarization, Development of Scan Plan, Data acquisition, Data interpretation etc.

CERTIFICATION / AWARD BODY

EN ISO 9712-2012: Qualification and Certification of NDT Personnel



ENTRY REQUIREMENTS

The minimum required duration of training, which includes both Theoretical and practical elements is:

Level 2 - 120 hours

The minimum required duration for experience prior to or following success in the qualification examination is

Level 2 - 12 months

COURSE OBJECTIVES

1. To explain the theoretical background of the techniques & the PAUT machine characteristics.
2. To calibrate PAUT equipment (velocity, Wedge delay sensitivity, Encoder)
3. To scan the plates and acquire the data.
4. To locate and evaluate defects using PAUT.
5. To select the correct type of probe/machine parameters to examine welded butt joints in steel plate/pipes.
6. To report on the location and size of defects in typical welded butt joints.
7. To interpret code requirements.
8. To meet the syllabus and exceed requirements for ISO 9712 Level 2.

COURSE DURATION

EN ISO 9712 Level II 12 Days

COURSE FEE

\$2,050.51

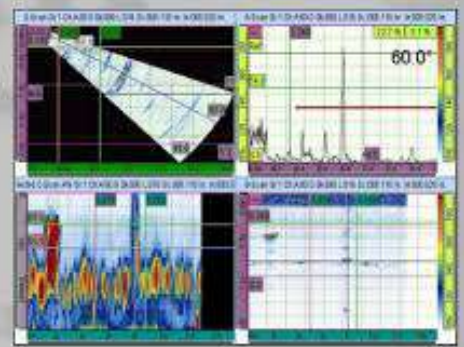
EN ISO 9712-2012 PROGRAM

Venue:

Warri, Nigeria

PAUT Views

- A data view is a 2D graphic rendering of the ultrasonic data
- Data views:
 - A-Scan
 - B-Scan
 - C-Scan
 - S-Scan
 - ToFD
 - Ray Tracing
 - Strip Charts



Contact us @

25, Okuokoko Agbarho Express Road,
Okuokoko, Warri, Delta State.

Phone No: 08123002209, 08030823051,
08057758775, 08065074515

email: tonmeritsintl@gmail.com

Website: www.tonmerit.com

**ACCOMMODATION IS NOW AVAILABLE
TERMS & CONDITIONS APPLY**



Tonmerit International Limited

RADIOGRAPHIC TESTING WELDS

COURSE CONTENT

Welding processes and weld defects; properties of X- and gamma-rays; sensitometry; film selection; film processing and spurious indications; factors controlling and definition; X- and gamma-ray equipment; ionising radiation hazards; regulations; use of screens and filters; selection of angle of aspect; image quality indicators; defect depth location; castings; reporting.

CERTIFICATION / AWARD BODY

EN ISO 9712-2012: Qualification and Certification of NDT Personnel



ENTRY REQUIREMENTS

The minimum required duration of training, which includes both Theoretical and practical elements is:

Level 2 - 120 hours

The minimum duration for experience prior to or following success in the qualification examination is

Level 2 - 12 months

COURSE OBJECTIVES

1. To explain the basic theory of X- and gamma radiography.
2. To select film type and energy levels, select and prepare techniques for a given specimen.
3. To state the theory of film processing and carry out practical dark-room work.
4. To have a working knowledge of basic radiation safety (see note in Additional Information).
5. To plot and evaluate film characteristics (sensitometry)
6. To recognize film faults.
7. To meet the syllabus and exceed requirements for ISO 9712 Level 2.

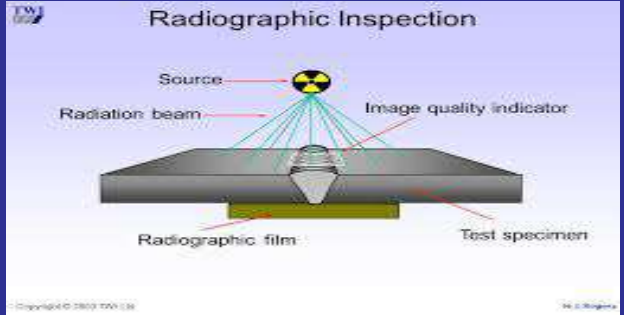
COURSE DURATION

EN ISO 9712 Level II 12 Days

COURSE FEE

\$1,720.38

EN ISO 9712-2012 PROGRAM
Venue:
Warri, Nigeria



Contact us @
25, Okuokoko Agbarho Express Road,
Okuokoko, Warri, Delta State.
Phone No: 08123002209, 08030823051,
08057758775, 08065074515
email: tonmeritsintl@gmail.com
Website: www.tonmerit.com

ACCOMMODATION IS NOW AVAILABLE
TERMS & CONDITIONS APPLY



Tonmerit International Limited

TIME OF FLIGHT DIFFRACTION ULTRASONIC TESTING

COURSE CONTENT

History of TOFD Development, TOFD Advantages and Limitations, Principles of TOFD, Depth calculation, Time Calculation, PCS Calculation, Types of TOFD Scan, Equipment Used in TOFD, Digitalization Principles, Equipment Requirements, TOFD Depth, Ring-Time Issues and Errors, Interpretation and Evaluation, Applications,

CERTIFICATION / AWARD BODY

EN ISO 9712-2012: Qualification and Certification of NDT Personnel



ENTRY REQUIREMENTS

The minimum required duration of training, which includes both Theoretical and practical elements is:

Level 2 - 120 hours

The minimum duration for experience prior to or following success in the qualification examination is

Level 2 - 12 months

COURSE OBJECTIVES

1. To explain the theoretical background of the techniques & the TOFD machine characteristics.
2. To calibrate TOFD equipment (velocity, Wedge delay, Sensitivity, Encoder)
3. To scan the plates and acquire the data.
4. To locate and evaluate defects using TOFD.
5. To select the correct type of probe/machine parameters to examine welded butt joints in steel plate.
6. To report on the location and size of defects in typical welded butt joint
7. To interpret code requirements.
8. To meet the syllabus and exceed requirements for ISO 9712 Level 2.

COURSE DURATION

EN ISO 9712 Level II 12 Days

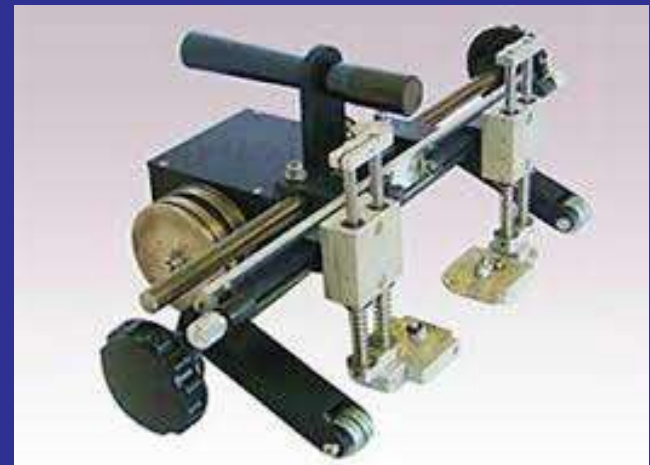
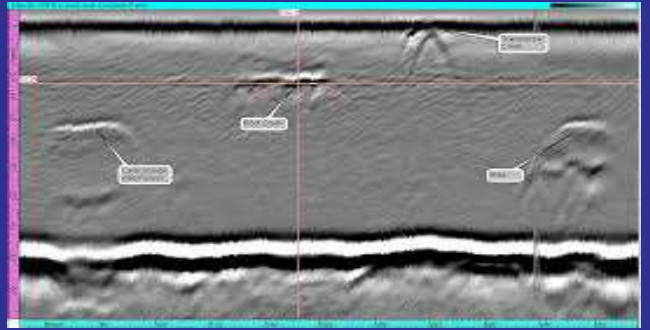
COURSE FEE

\$1,950.75

EN ISO 9712-2012 PROGRAM

Venue:

Warri, Nigeria



Contact us @

25, Okuokoko Agbarho Express Road,
Okuokoko, Warri, Delta State.

Phone No:08123002209, 08030823051,
08057758775,08065074515

email: tonmeritsintl@gmail.com

Website: www.tonmerit.com

**ACCOMMODATION IS NOW AVAILABLE
TERMS & CONDITIONS APPLY**



Tonmerit International Limited

TIME OF FLIGHT DIFFRACTION (TOFD) DATA INTERPRETATION

COURSE CONTENT

Reminiscence of Ultrasonic Testing and Advanced ultrasonic technologies - TOFD theory and principles of diffraction- TOFD technique - TOFD equipment - principled of TOFD inspection; software familiarization - scan plans - TOFD inspection calibrations and optimizing PCS and angles - data scanning with TOFD probes; TOFD data acquisition and interpretation, analysis; use of software tools for defect detection, flaw location and sizing; data analysis; interpretation & Evaluation - acceptance Criteria - limitations of detection and resolution- procedures for verification of flaw existence and position, reporting; TOFD applications - welding processes and weld defects - number of practical exercises on test specimens containing simulated flaws.

CERTIFICATION / AWARD BODY

EN ISO 9712-2012: Qualification and Certification of NDT Personnel



ENTRY REQUIREMENTS

The minimum required duration of training, which includes both Theoretical and practical elements is:

Level II- 120 hours

ELIGIBILITY

Candidates has to possess a valid ISO 9712 Level 2 in UT or ASNT Level 3 in UT

COURSE OBJECTIVES

1. To understand the theoretical background of TOFD.
2. To correctly select probe/wedge to examine weld joints
3. To calibrate and set up the TOFD equipment.
4. To analysis scan data for location and size of defects in typical welded butt joint.
5. To differentiate defects from geometric features.
6. To understand and apply digital processing.

COURSE DURATION

EN ISO 9712 Level II 4 Days Training and 1 Day Exam

Number of participants considered for the Training - 05

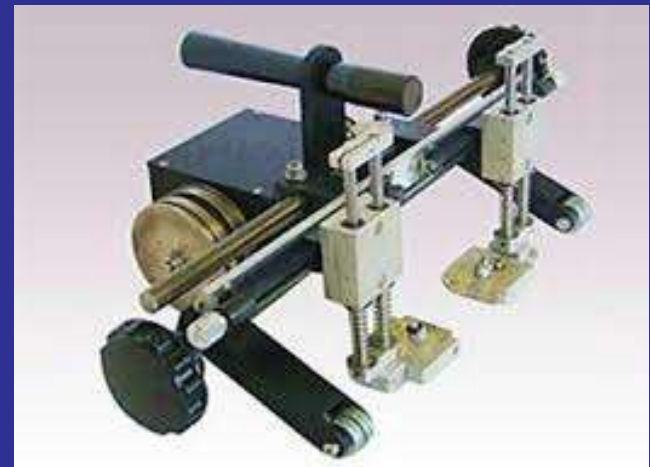
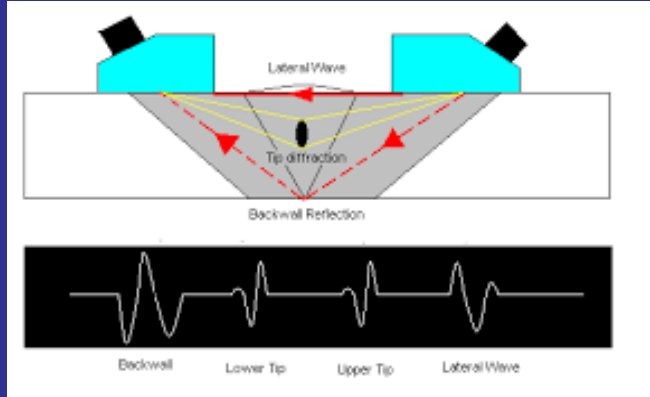
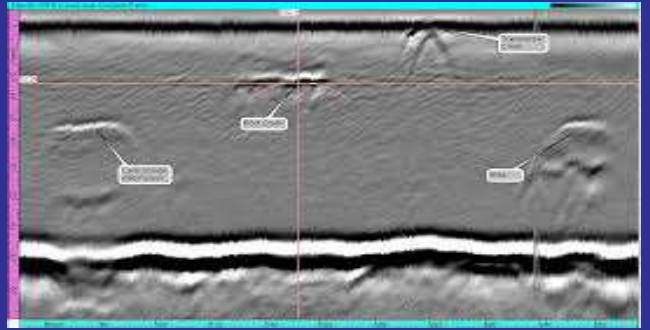
COURSE FEE

\$1,500.25

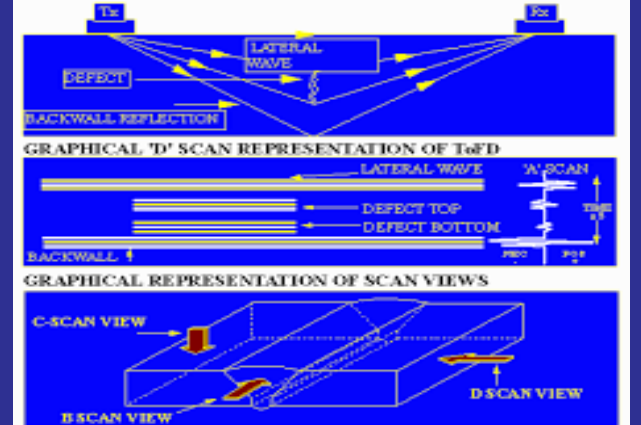
EN ISO 9712-2012 PROGRAM

Venue:

Warri, Nigeria



PRINCIPLES OF TOFD



Contact us @

25, Okuokoko Agbarho Express Road,
Okuokoko, Warri, Delta State.

Phone No: 08123002209, 08030823051,

08057758775, 08065074515

email: tonmeritsintl@gmail.com

Website: www.tonmerit.com

**ACCOMMODATION IS NOW AVAILABLE
TERMS & CONDITIONS APPLY**



Tonmerit International Limited

PAUT

DATA INTERPRETATION

COURSE CONTENT

Reminiscence of conventional and advanced ultrasonic testing - Principle of phased array inspection; phased array equipment and probes; familiarization of PAUT equipments and scan plans - phased array inspection calibrations - velocity, Wedge delay, sensitivity, TCG and encoder - PAUT data scanning, data acquisition; and data analysis, data integrity - scan representations - software familiarity; use of software tools for defect detection and sizing; evaluation - acceptance criteria procedures for verification of flaw existence and position; reporting; welding processes and weld defects 0 number of practical exercis on scanned data for interpretation familiarization data analysis and interpretation.

CERTIFICATION / AWARD BODY

EN ISO 9712-2012: Qualification and Certification of NDT Personnel



ENTRY REQUIREMENTS

The minimum required duration of training, which includes both Theoretical and practical elements is:

Level II - 120 hours

ELIGIBILITY

Candidates has to possess a valid ISO 9712 Level 2 in UT or ASNT Level 3 in UT

COURSE OBJECTIVES

1. To explain the theoretical background of PAUT welds inspections.
2. To calibrate and set up the phased array ultrasonic equipment.
3. To locate, analysis, evaluate & size of defects in typical weld joints.
4. To differentiate defects from geometric features.
5. To accurately report weld condition.
6. To comply applicable procedure and codes/standards.

COURSE DURATION

EN ISO 9712 Level II 6 Days Training and 1 Day Exam

Number of participants considered for the Training - 05

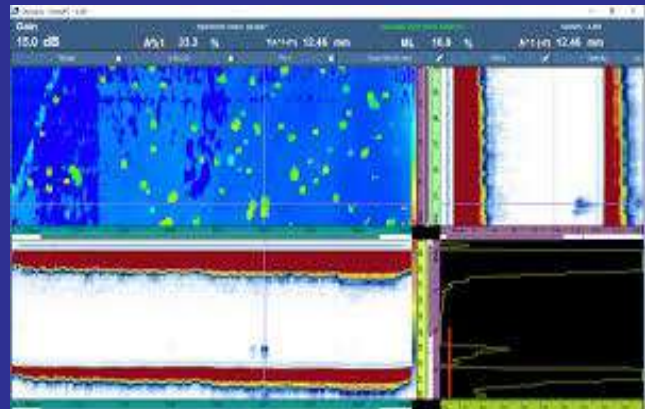
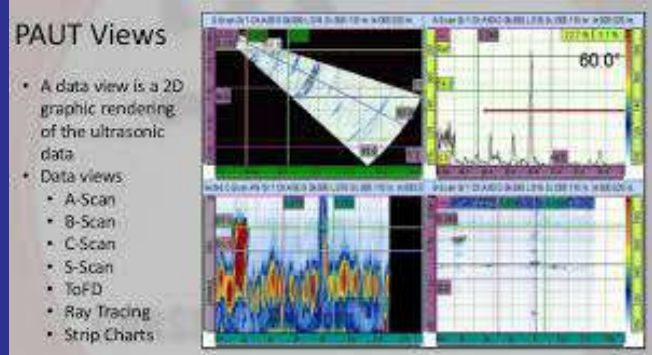
COURSE FEE

\$1,500.25

EN ISO 9712-2012 PROGRAM

Venue:

Warri, Nigeria



Contact us @

25, Okuokoko Agbarho Express Road,
Okuokoko, Warri, Delta State.

Phone No:08123002209, 08030823051,
08057758775,08065074515

email: tonmeritsintl@gmail.com

Website: www.tonmerit.com

**ACCOMMODATION IS NOW AVAILABLE
TERMS & CONDITIONS APPLY**



Tonmerit International Limited

AUTOMATED ULTRASONIC TESTING (AUT) DATA INTERPRETATION

COURSE CONTENT

Introduction of Manual UT, Phased Array UT and TOFD technique, In-depth knowledge of AUT systems and software, AUT inspection principle, Zonal discrimination concept, calibration requirements, screen layout, Data acquisition Typical weld defects in automated welding, interpretation of AUT results, Defect sizing, Over-trace concept, Operator check list, POD, ECA, Acceptance criteria, Reporting and Applicable code and standards, AUT procedure validation, AUT personnel qualification and AUT audits.

CERTIFICATION / AWARD BODY

ISO 9712-2012: Qualification and Certification of NDT Personnel



ENTRY REQUIREMENTS

The minimum required duration of training, which includes both Theoretical and practical elements is:

Level II - 120 hours

ELIGIBILITY

Candidates has to possess a valid ISO 9712 Level 2 in UT or ASNT Level 3 in UT

COURSE OBJECTIVES

1. To explain the theoretical background of AUT pipeline girth welds inspections.
2. To verify calibration and set up AUT equipment.
3. To analysis the scan AUT data for location and size of defects in typical welded joints.
4. To differentiate defects from geometric features.
5. To accurately report weld condition.
6. To comply applicable procedure and codes/standards.
7. To meet the ISO 9712 requirements.

COURSE DURATION

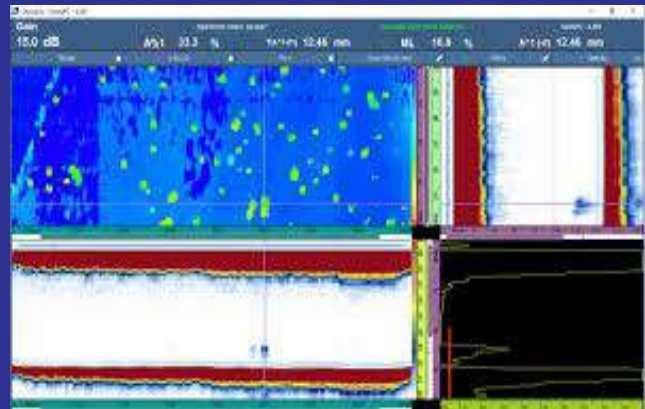
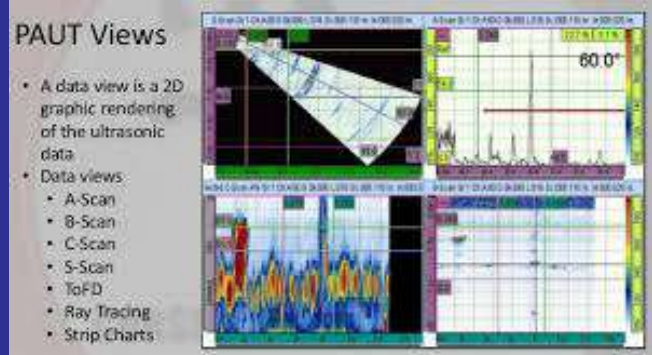
ISO 9712 Level II 6 Days Training and 1 Day Exam

Number of participants considered for the Training - 04

COURSE FEE

\$1,800.75

EN ISO 9712-2012 PROGRAM Venue: Warri, Nigeria



Contact us @
 25, Okuokoko Agbarho Express Road,
 Okuokoko, Warri, Delta State.
 Phone No:08123002209, 08030823051,
 08057758775,08065074515
 email: tonmeritsintl@gmail.com
 Website: www.tonmerit.com

**ACCOMMODATION IS NOW AVAILABLE
TERMS & CONDITIONS APPLY**